

0.09  
Wall Thickness

R3.65

Ø2.45

Ø0.83

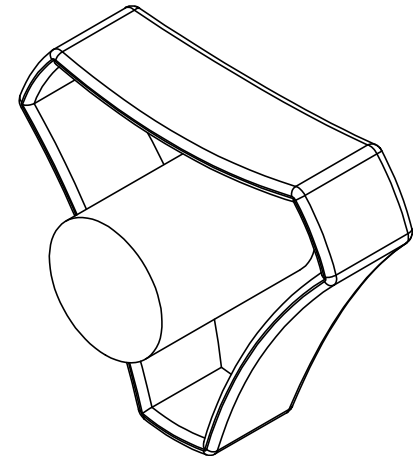
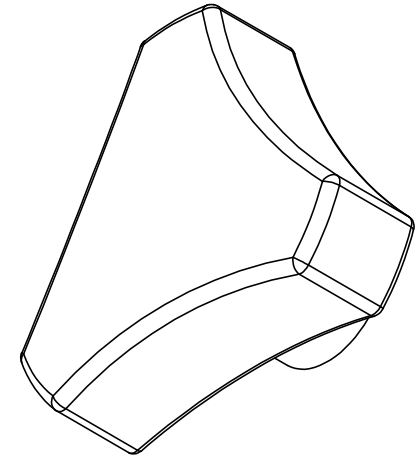
R9.43


R0.07

R0.04

1.25

0.50



REV	BY	DATE	COMMENT	DRAWN	JSR	 <b>INNOVATIVE COMPONENTS</b>
0	JSR	03/23/11	RELEASE DATE	APPROVED	03/23/2011	
				DATE		PART NUMBER
				COMMENTS		
<b>PROPRIETARY AND CONFIDENTIAL</b> THE INFORMATION CONTAINED IN THIS DRAWING IS THE SOLE PROPERTY OF INNOVATIVE COMPONENTS. ANY REPRODUCTION IN PART OR AS A WHOLE WITHOUT THE WRITTEN PERMISSION OF INNOVATIVE COMPONENTS IS PROHIBITED.				KNOB MATERIAL		DRAWING NUMBER
				KNOB FINISH	INSERT MATERIAL	TK
				INSERT PART NUMBER	INSERT FINISH	SHEET 1 OF 1
				SCALE 1:1		

DIMENSIONS ARE IN INCHES  
TOLERANCES  
FRACTIONAL ±  
TWO PLACE DECIMAL ± 0.03  
THREE PLACE DECIMAL ± 0.010  
UNLESS OTHERWISE NOTED

KNOB MATERIAL

KNOB FINISH

INSERT PART NUMBER

DRAWN

APPROVED

DATE

COMMENTS

INSERT MATERIAL

INSERT FINISH

 **INNOVATIVE COMPONENTS**

PART NAME

PART NUMBER

TK7 MASTER

SCALE 1:1

DRAWING NUMBER

TK

SHEET 1 OF 1